

AEROSPACE COMPONENTS

2625 75TH STREET NORTH.
SAINTPETERSBURG, FL. 33710
PHONE: 727-347-9915
FAX: 727-347-9804

MOPAR SPINDLE WORKSHEET

Please fill out all information on this page. On page 2 please fill out the measurements on the diagram that closest resembles YOUR spindle. Also on page 2 be sure to fill out the diagram of the spindle snout itself including the grease seal and bearing diameters as well as length of spindle snout and grease seal area. These dimensions will be required to provide you with the correct parts to install your new Aerospace Brake Kit. Be careful to fill out all necessary information or we will not be able to process the order till it is completed. **ACCURATE MEASUREMENTS ARE A MUST!** Aerospace Components cannot be held responsible for incorrect parts if you do not measure the actual spindle on your vehicle or if your measurements are inaccurate.

WHEEL BOLT PATTERN REQUIRED _____

WEIGHT OF VEHICLE _____

VEHICLE USE (I.E. DRAG RACING) _____

MAKE AND MODEL OF VEHICLE _____

YEAR OF VEHICLE _____

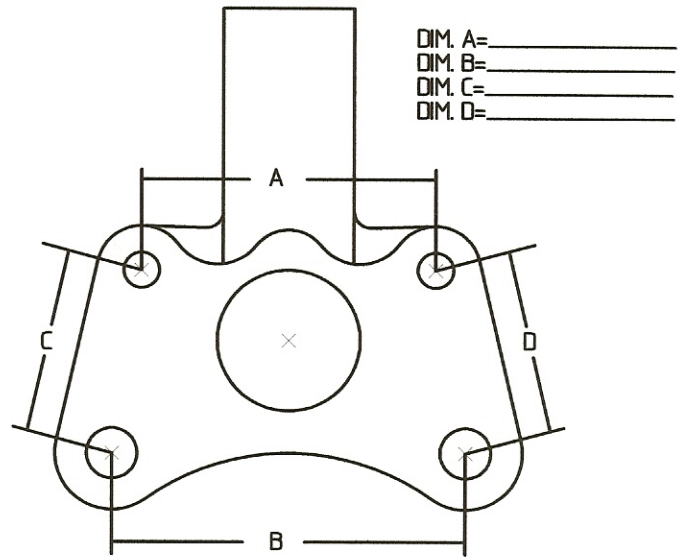
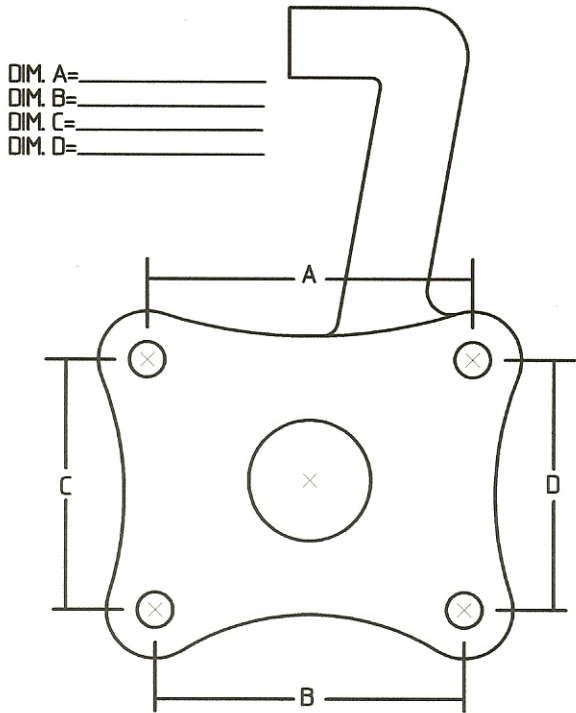
CUSTOMER NAME _____

SIGNATURE APPROVING MEASUREMENTS:

DATE: _____

**PLEASE FAX COMPLETED WORKSHEET (BOTH PAGES) TO:
727-347-9804**

FILL OUT MEASUREMENTS OF THE DIAGRAM THAT RESEMBLES YOUR SPINDLE THE MOST. MAKE SURE TO FILL OUT THE BEARING SNOUT MEASUREMENTS AS WELL.



DIM ~ A = _____
 DIM ~ B = _____
 DIM ~ C = _____
 DIM ~ D = _____
 DIM ~ E = _____

